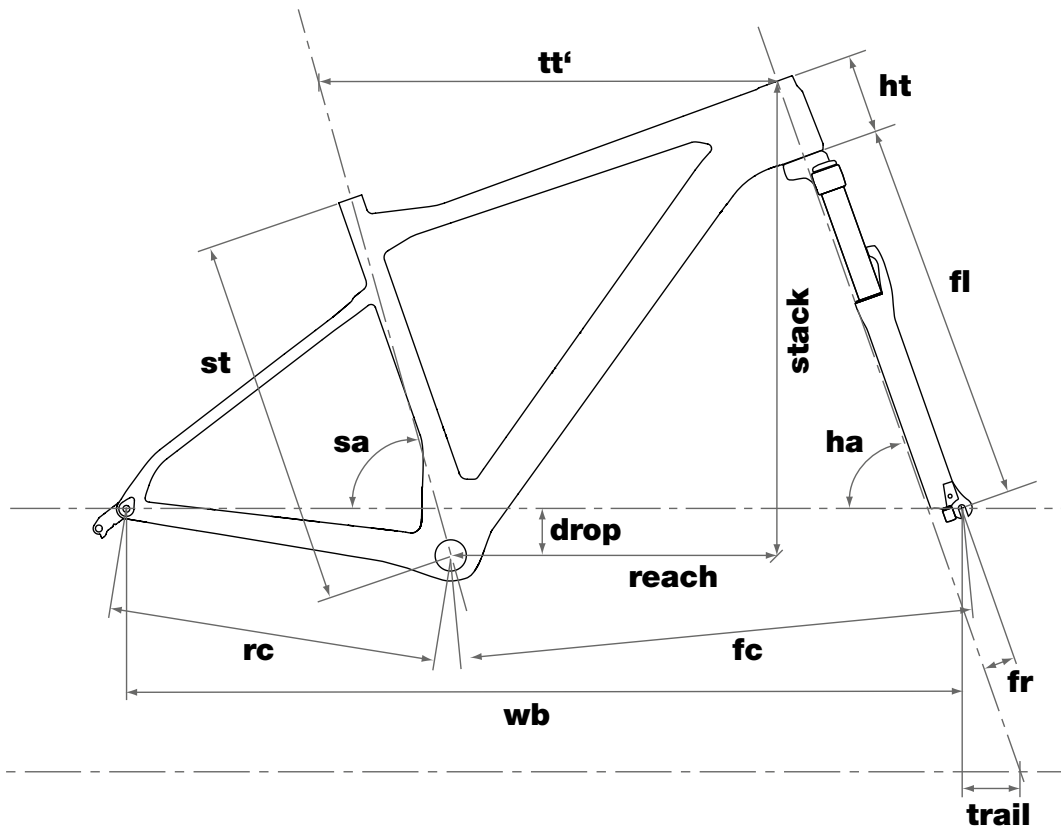


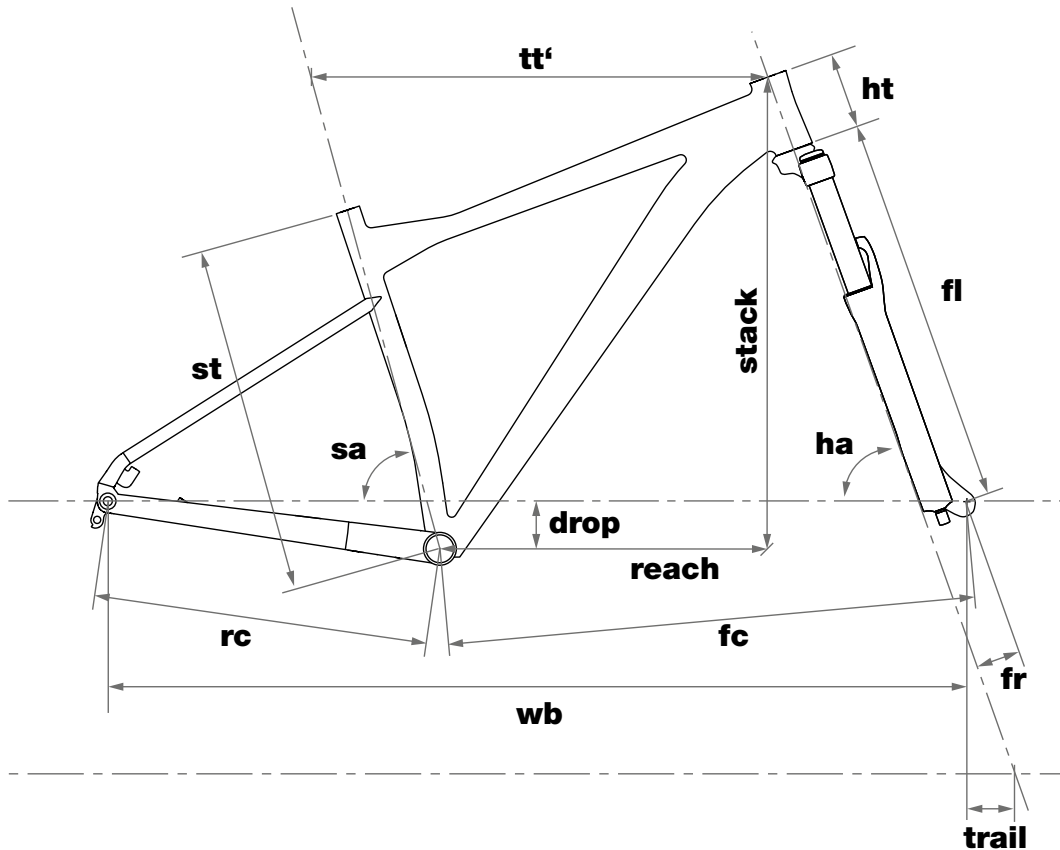
**Geometry**

size	XS	S	M	L	XL
rider height	< 165	162-172	170-180	178-188	>188
stack mm	599	608	618	628	638
reach mm	377	401	426	442	458
seat tube st mm	400	445	485	525	545
top tube tt' mm	550	584	610	630	649
head tube ht mm	90	90	100	110	120
seat angle sa °	73.5	73.5	73.5	73.5	73.5
head angle ha °	70	70	70	70	70
rear center rc mm	429	429	429	429	429
front center fc mm	625	659	685	706	725
wheelbase wb mm	1046	1081	1107	1128	1146
bb drop mm	61	61	61	61	61
fork length fl mm	486	506	506	506	506
fork rake fr mm	51	51	51	51	51
trail mm	80	80	80	80	80
crank length mm	170	170	175	175	175
stem length mm	60	70	70	70	80
stem angle °	±6	±6	±6	±6	±6
bar width mm	720	720	720	720	720
bar rise mm	4	4	4	4	4
bar weep °	9°	9°	9°	9°	9°
post length mm	350	350	350	400	400
post offset mm	0	0	0	0	0
standover height mm	687	773	803	828	838



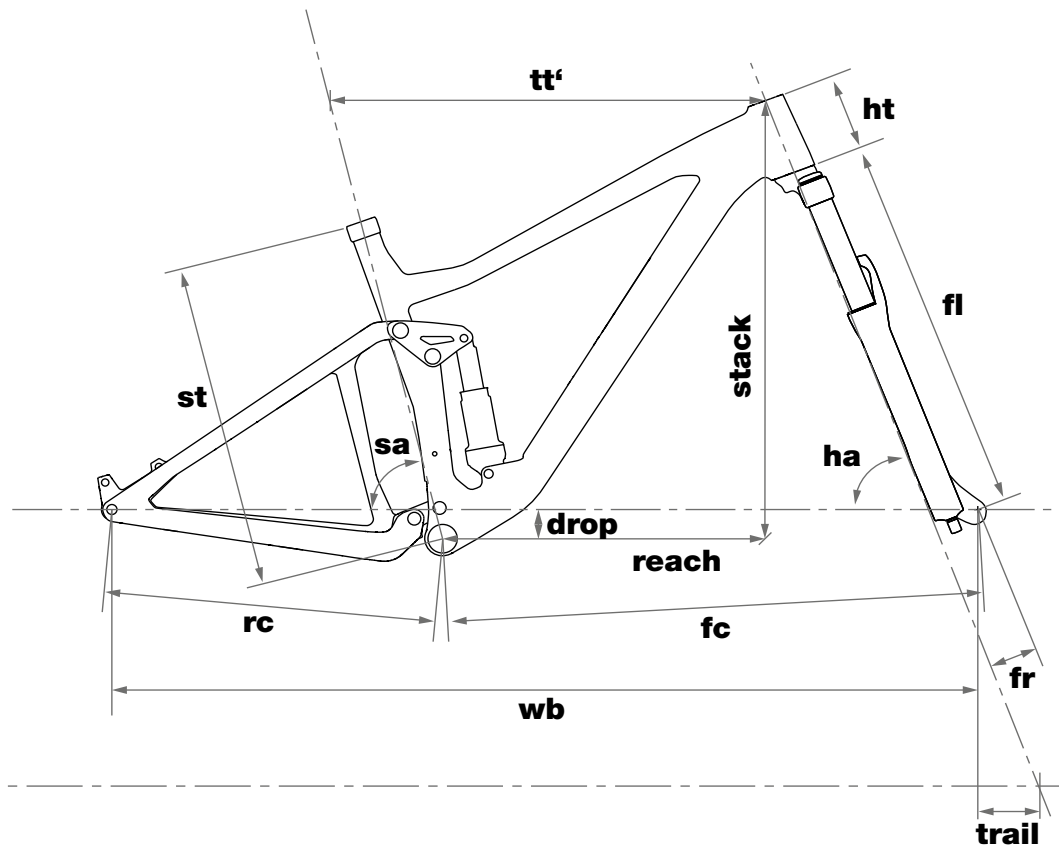
**Geometry**

size	XS	S	M	L	XL
rider height	< 165	162-172	170-180	178-188	>188
stack mm	599	608	618	628	638
reach mm	377	401	426	442	458
seat tube st mm	400	445	485	525	545
top tube tt' mm	550	584	610	630	649
head tube ht mm	90	90	100	110	120
seat angle sa °	73.5	73.5	73.5	73.5	73.5
head angle ha °	70	70	70	70	70
rear center rc mm	429	429	429	429	429
front center fc mm	625	659	685	706	725
wheelbase wb mm	1046	1081	1107	1128	1146
bb drop mm	61	61	61	61	61
fork length fl mm	486	506	506	506	506
fork rake fr mm	51	51	51	51	51
trail mm	80	80	80	80	80
crank length mm	170*	170	175	175	175
stem length mm	60	70	70	70	80
stem angle °	±6	±6	±6	±6	±6
bar width mm	720	720	720	720	720
bar rise mm	4	4	4	4	4
bar weep °	9°	9°	9°	9°	9°
post length mm	350	350	350	400	400
post offset mm	0	0	0	0	0
standover height mm	687	773	803	828	838



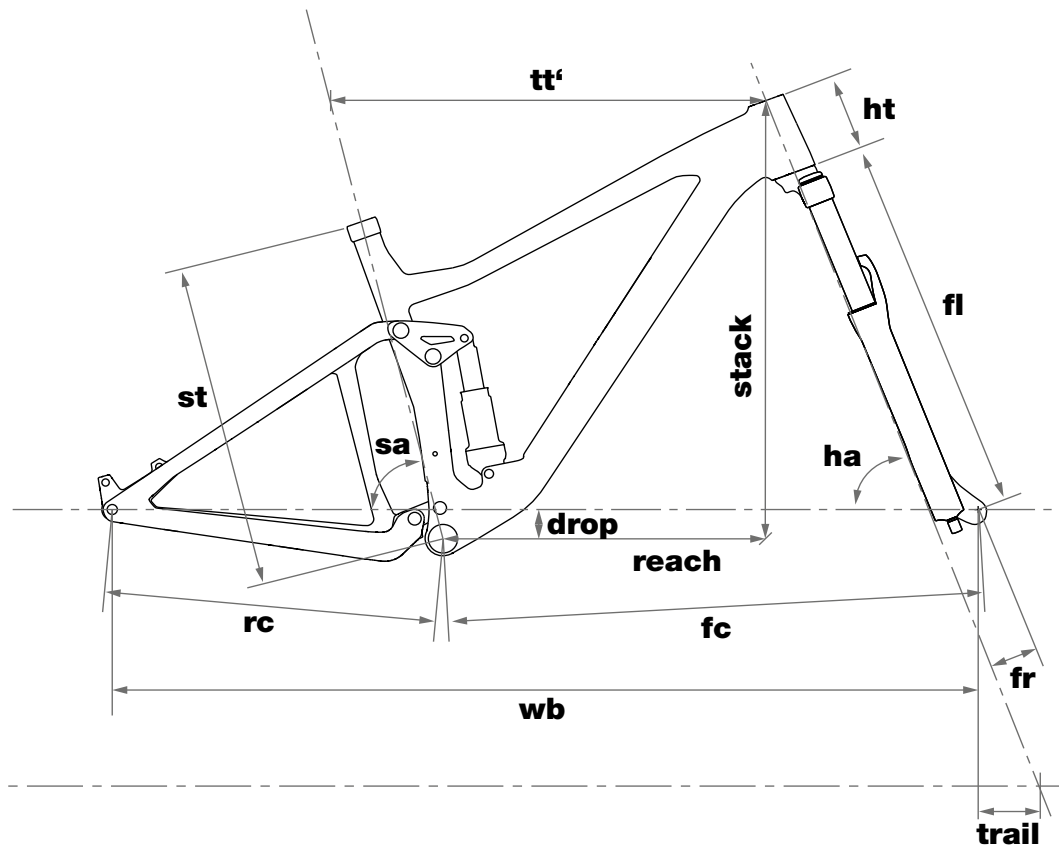
**Geometry**

size	S	M	L	XL
rider height	<170	170-182	180-192	>190
stack mm	605	615	624	633
reach mm	401	426	442	458
seat tube st mm	425	455	495	545
top tube tt' mm	580	608	627	646
head tube ht mm	90	100	110	120
seat angle sa °	73.5	73.5	73.5	73.5
head angle ha °	70	70	70	70
rear center rc mm	433	433	433	433
front center fc mm	656	685	704	724
wheelbase wb mm	1085	1113	1132	1152
bb drop mm	60	60	60	60
fork length fl mm	506	506	506	506
fork rake fr mm	51	51	51	51
trail mm	80	80	80	80
crank length mm	170	175	175	175
stem length mm	75	75	75	90
stem angle °	±6	±6	±6	±6
bar width mm	720	720	720	720
bar rise mm	4	4	4	4
bar weep °	9	9	9	9
post length mm	350	350	400	400
post offset mm	0	0	0	0
standover height mm	730	760	785	825



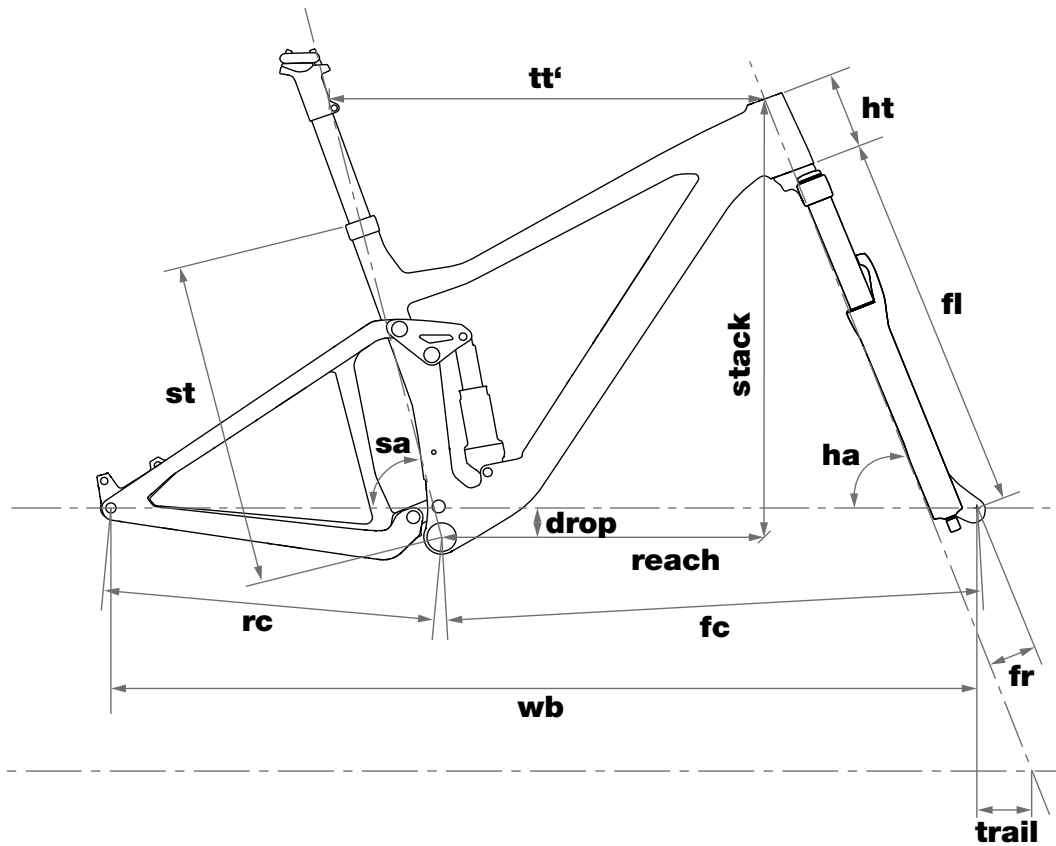
**Geometry**

size	S	M	L	XL
rider height	<172	172-182	180-188	>188
stack mm	595	605	615	630
reach mm	412	435	455	470
seat tube st mm	420	440	480	510
top tube tt' mm	586	611	634	653
head tube ht mm	95	105	115	130
seat angle sa °	73.75	73.75	73.75	73.75
head angle ha °	69.5	69.5	69.5	69.5
rear center rc mm	445	445	445	445
front center fc mm	674	701	724	745
wheelbase wb mm	1119	1145	1169	1190
bb drop mm	40	40	40	40
fork length fl mm	516	516	516	516
fork rake fr mm	51	51	51	51
trail mm	85	85	85	85
crank length mm	170	175	175	175
stem length mm	70	70	70	80
stem angle °	±6	±6	±6	±6
bar width mm	720	720	720	720
bar rise mm	4	4	4	4
bar weep °	9	9	9	9
post length mm	350	350	400	400
post offset mm	0	0	0	0
standover height mm	709	730	748	769



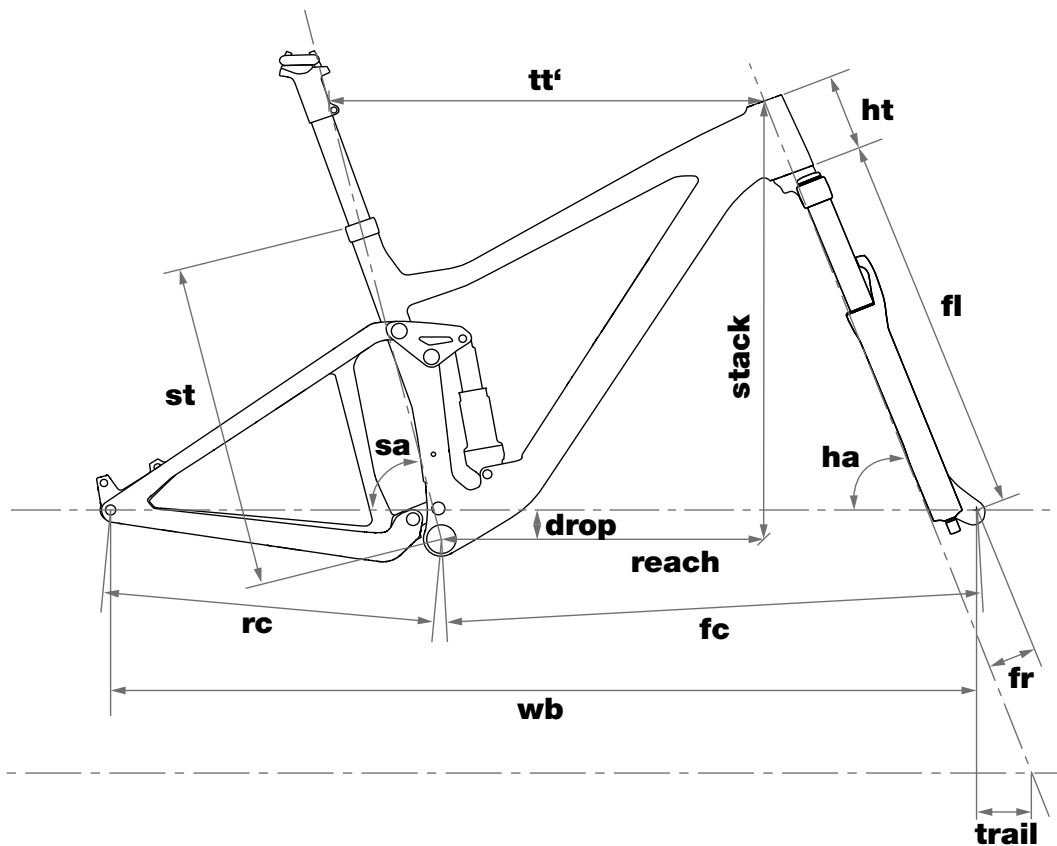
**Geometry**

size	S	M	L	XL
rider height	<172	172-182	180-188	>188
stack mm	595	605	615	630
reach mm	412	435	455	470
seat tube st mm	420	440	480	510
top tube tt' mm	586	611	634	653
head tube ht mm	95	105	115	130
seat angle sa °	73.75	73.75	73.75	73.75
head angle ha °	69.5	69.5	69.5	69.5
rear center rc mm	445	445	445	445
front center fc mm	674	701	724	745
wheelbase wb mm	1119	1145	1169	1190
bb drop mm	40	40	40	40
fork length fl mm	516	516	516	516
fork rake fr mm	51	51	51	51
trail mm	85	85	85	85
crank length mm	170	175	175	175
stem length mm	70	70	70	80
stem angle °	±6	±6	±6	±6
bar width mm	720	720	720	720
bar rise mm	4	4	4	4
bar weep °	9	9	9	9
post length mm	350	350	400	400
post offset mm	0	0	0	0
standover height mm	709	730	748	769



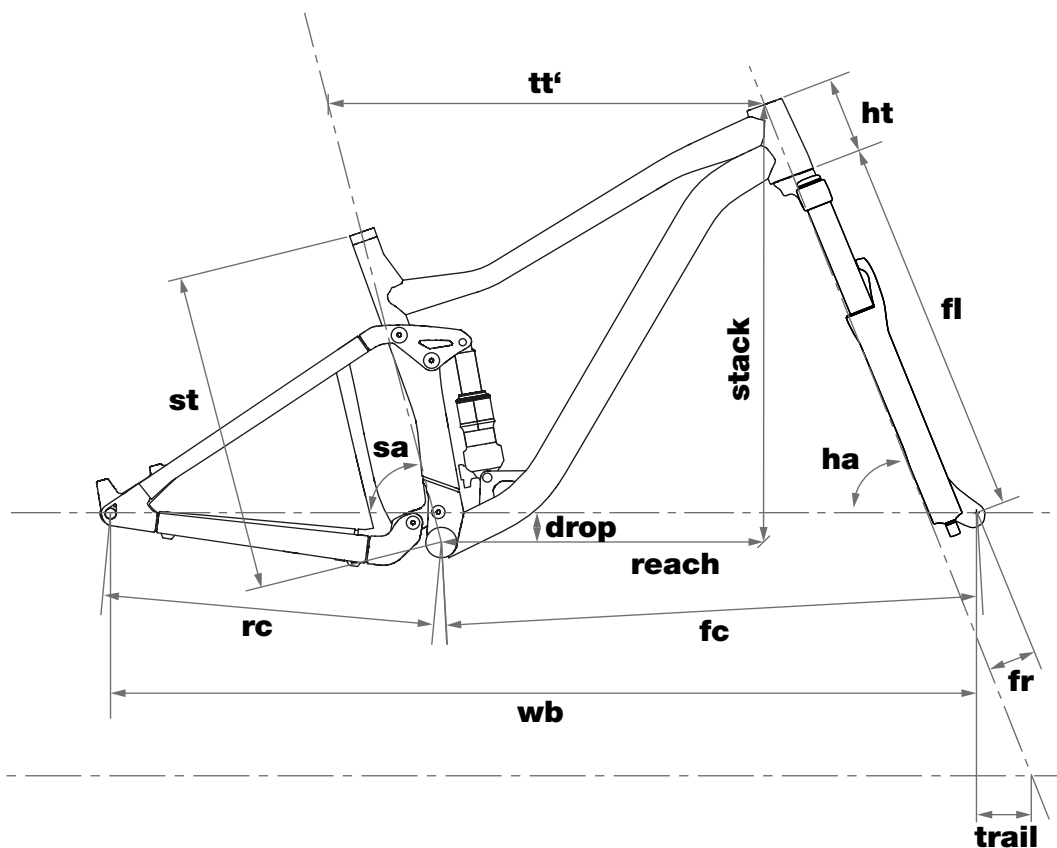
**Geometry**

size	S	M	L	XL
rider height	<172	172-182	180-188	>188
stack mm	600	610	620	635
reach mm	408	430	450	465
seat tube st mm	420	440	480	510
top tube tt' mm	587	611	634	653
head tube ht mm	95	105	115	135
seat angle sa °	73.75	73.75	73.75	73.75
head angle ha °	68	68	68	68
rear center rc mm	445	445	445	445
front center fc mm	677	704	728	748
wheelbase wb mm	1123	1145	1169	1189
bb drop mm	37	37	37	37
fork length fl mm	526	526	526	526
fork rake fr mm	51	51	51	51
trail mm	90	90	90	90
crank length mm	170	175	175	175
stem length mm	45	55	55	55
stem angle °	0	0	0	0
bar width mm	760	760	760	760
bar rise mm	15	15	15	15
bar sweep °	9	9	9	9
post offset mm	0	0	0	0
standover height mm	713	734	752	773



**Geometry**

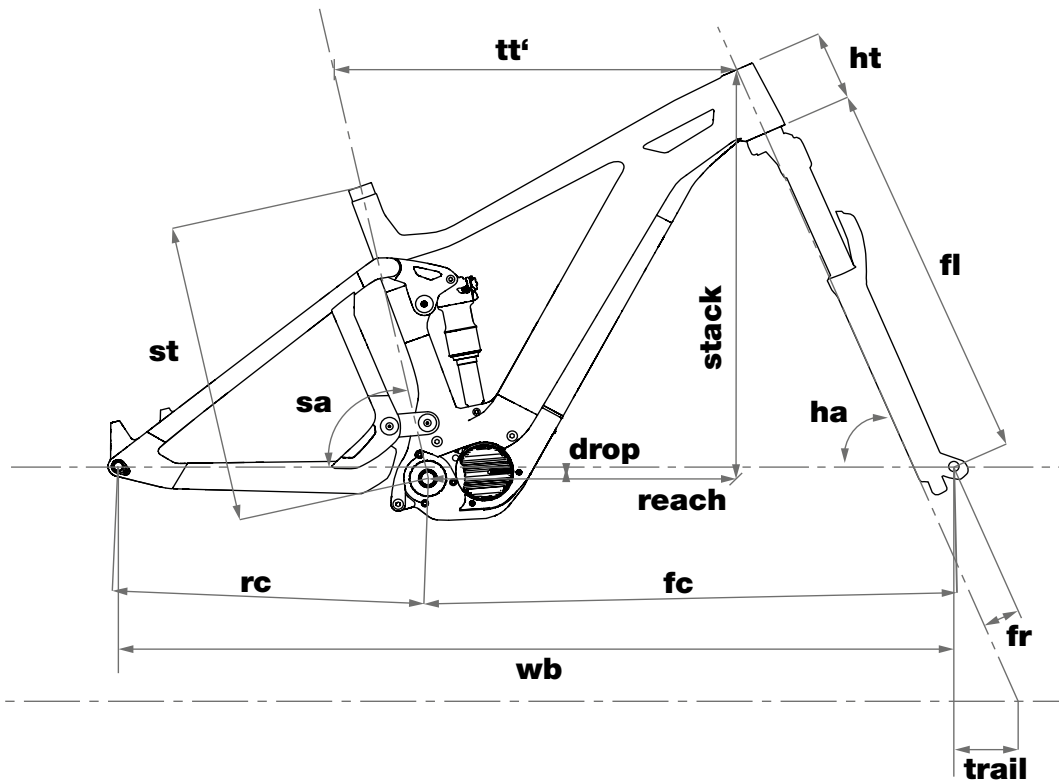
size	S	M	L	XL
rider height	<172	172-182	180-188	>188
stack mm	600	610	620	635
reach mm	408	430	450	465
seat tube st mm	420	440	480	510
top tube tt' mm	587	611	634	653
head tube ht mm	95	105	115	135
seat angle sa °	73.75	73.75	73.75	73.75
head angle ha °	68	68	68	68
rear center rc mm	445	445	445	445
front center fc mm	677	704	728	748
wheelbase wb mm	1123	1145	1169	1189
bb drop mm	37	37	37	37
fork length fl mm	526	526	526	526
fork rake fr mm	51	51	51	51
trail mm	90	90	90	90
crank length mm	170	175	175	175
stem length mm	45	55	55	55
stem angle °	0	0	0	0
bar width mm	760	760	760	760
bar rise mm	15	15	15	15
bar sweep °	9	9	9	9
post offset mm	0	0	0	0
standover height mm	713	734	752	773



### Geometry

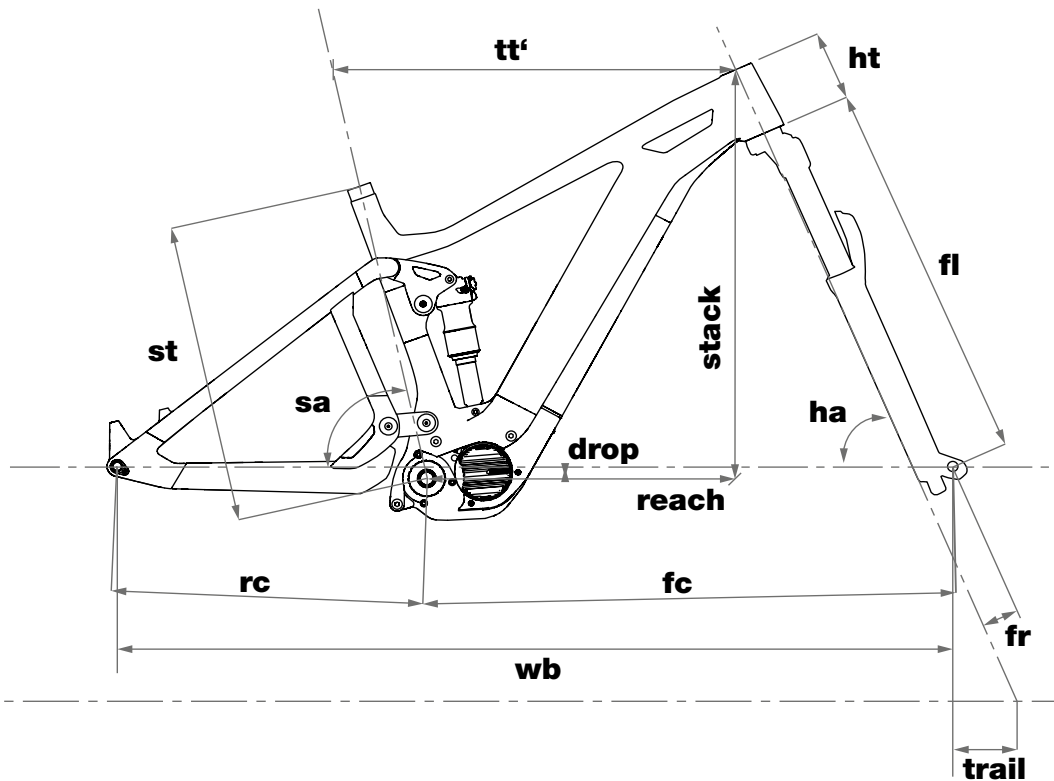
size	S (27.5")	M (29")	L (29")	XL (29")
rider height	<172	172-182	180-188	>188
stack mm	584	610	620	635
reach mm	413	430	450	465
seat tube st mm	410	440	480	510
top tube tt' mm	587	611	634	653
head tube ht mm	110	105	115	135
seat angle sa °	73.25	73.75	73.75	73.75
head angle ha °	67.5	68.25	68.25	68.25
rear center rc mm	430	445	445	445
front center fc mm	685	704	728	748
wheelbase wb mm	1111	1145	1169	1189
bb drop mm	22	37	37	37
fork length fl mm	517	526	526	526
fork rake fr mm	46	51	51	51
trail mm	98	90	90	90
crank length mm	170	175	175	175
stem length mm	45	55	55	55
stem angle °	0	0	0	0
bar width mm	760	760	760	760
bar rise mm	15	15	15	15
bar sweep °	9	9	9	9
post offset mm	0	0	0	0
standover height mm	695	734	752	773





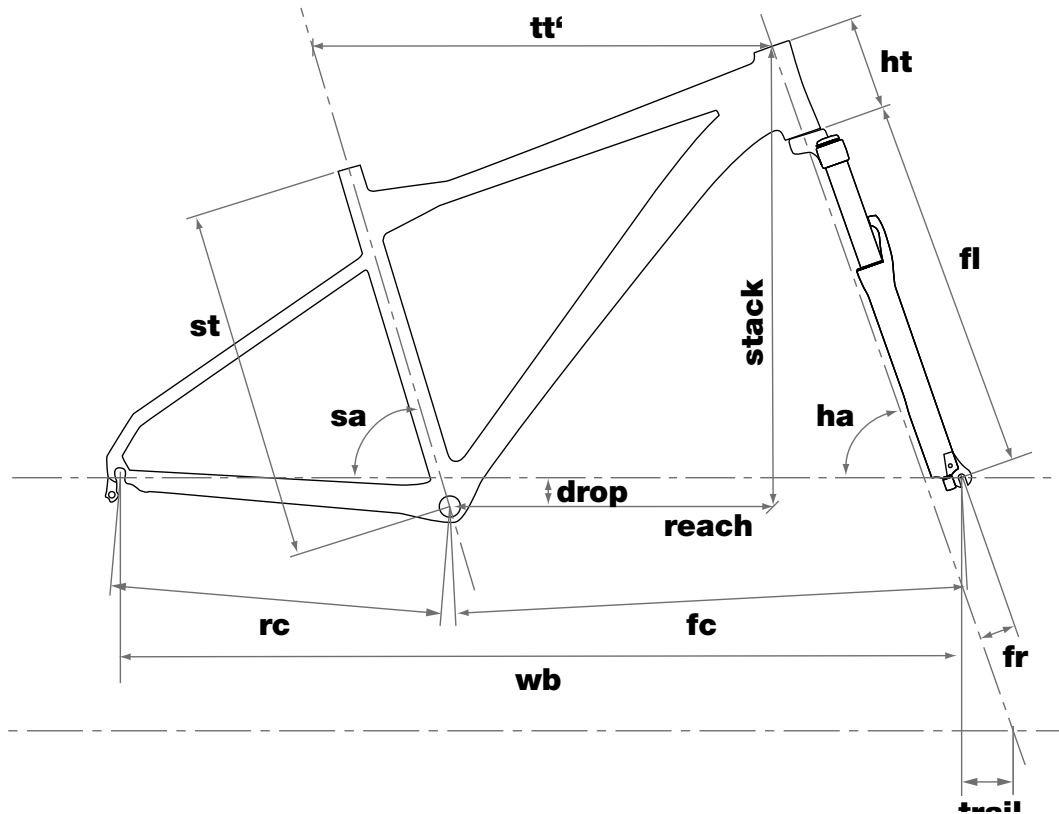
**Geometry**

size	S	M	L
rider height	<170	170-185	>180
stack mm	598	605	618
reach mm	401	445	472
seat tube st mm	400	440	480
top tube tt' mm	572	619	648
head tube ht mm	92	103	118
seat angle sa °	74	74	74
head angle ha °	66	66	66
rear center rc mm	450	450	450
front center fc mm	711	752	784
wheelbase wb mm	1159	1202	1233
bb drop mm	33	35	35
fork length fl mm	541	541	541
fork rake fr mm	51	51	51
trail mm	110	107	107
crank length mm	170	170	170
stem length mm	50	50	50
stem angle °	+/- 6	+/- 6	+/- 6
bar width mm	750	750	750
bar rise mm	10	20	20
bar sweep °	9	9	9
post length mm	125x380	150x430	150x430
post offset mm	0	0	0
standover height mm	760	765	770



**Geometry**

size	S	M	L
rider height	<170	170-185	>180
stack mm	595	606	620
reach mm	405	445	469
seat tube st mm	400	440	480
top tube tt' mm	573	616	645
head tube ht mm	91	103	118
seat angle sa °	74	74	74
head angle ha °	66	66	66
rear center rc mm	445	445	445
front center fc mm	715	760	791
wheelbase wb mm	1162	1207	1238
bb drop mm	17	17	17
fork length fl mm	561	561	561
fork rake fr mm	51	51	51
trail mm	103	103	103
crank length mm	170	170	170
stem length mm	50	50	50
stem angle °	0	0	0
bar width mm	780	780	780
bar rise mm	20	20	20
bar sweep °	9	9	9
post length mm	125x375	150x440	150x440
post offset mm	0	0	0
standover height mm	745	730	771



### Geometry

size	XS	S	M	L	XL
rider height	< 165	162-172	170-182	180-192	>190
stack mm	580	594	604	622	632
reach mm	385	405	425	445	465
seat tube st mm	380	420	460	500	540
top tube tt' mm	558	586	610	635	654
head tube ht mm	100	110	120	140	150
seat angle sa °	73	73	73	73	73
head angle ha °	70	70	70	70	70
rear center rc mm	435	435	435	435	435
front center fc mm	622	652	675	701	720
wheelbase wb mm	1053	1083	1107	1133	1152
bb drop mm	42	42	42	42	42
fork length fl mm	490	490	490	490	490
fork rake fr mm	42	42	42	42	42
trail mm	82	82	82	82	82
crank length mm	170	170	175	175	175
stem length mm	70	70	70	70	90
stem angle °	6	6	6	6	6
bar width mm	700	700	700	700	700
bar rise mm	15	15	15	15	15
bar sweep °	9	9	9	9	9
post length mm	350	350	400	400	400
post offset mm	0	0	0	0	0
standover height mm	704	744	766	779	825

## SPORTELITE 24

### Geometry

rider height	120-150
stack mm	476
reach mm	357
seat tube st mm	320
top tube tt' mm	515
head tube ht mm	100
seat angle sa °	72
head angle ha °	71
rear center rc mm	410
front center fc mm	562
wheelbase wb mm	971
bb drop mm	20
fork length fl mm	399
fork rake fr mm	42
trail mm	59
crank length mm	160
stem length mm	60
stem angle °	15
bar width mm	560
bar rise mm	10
bar sweep °	6
post length mm	250
post offset mm	15
standover height mm	540

## SPORTELITE 20

### Geometry

rider height	100-120
stack mm	450
reach mm	293
seat tube st mm	280
top tube tt' mm	441
head tube ht mm	110
seat angle sa °	72
head angle ha °	71
rear center rc mm	375
front center fc mm	490
wheelbase wb mm	865
bb drop mm	10
fork length fl mm	373
fork rake fr mm	42
trail mm	42
crank length mm	140
stem length mm	60
stem angle °	15
bar width mm	500
bar rise mm	10
bar sweep °	6
post length mm	250
post offset mm	15
standover height mm	615